



OWANDY-RX

PRECISION AND SIMPLICITY

Intraoral X-ray system

Technology at its simplest



The Owandy-RX new generation: more intuitive in use, large LCD screen for optimum display and a «wireless trigger» option



Precision



Reliability



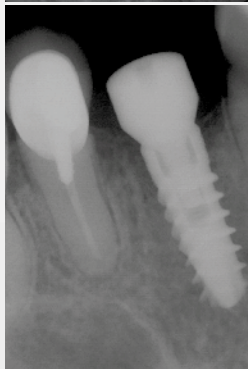
Ergonomic design



Intuitive



Easy installation



Precision

Equipped with High Frequency technology and a 0.4mm focal spot, the Owandy-RX ensures consistent exposure parameters and high quality X-ray emissions.

Microprocessor control of the timer guarantees exposure times are accurate to 1/100th of a second. HF technology ensures patient safety by a significant reduction in X-ray doses and elimination of harmful soft X-rays. Both exposure time and delivered dose are clearly displayed on the screen.

The Owandy-RX is compatible with the various types of sensors on the market (films, digital sensors, imaging plate systems).



Reliability

Designed to withstand all sorts of stress, the Owandy-RX arm is well-balanced, manoeuvrable, flexible and robust. It's equipped with a stabilising system: there are no unwanted movements or vibrations, providing a truly comfortable experience for both the practitioner and the patient. Furthermore, the Owandy-RX has built-in automatic exposure time compensation in the event of any power fluctuations.



Ergonomic design

The Owandy-RX is user-friendly and easy to handle due to its ergonomic design. Modern and compact, the Owandy-RX will enhance your surgery and integrate harmoniously. The handle on the generator enables the generator head to be positioned effortlessly.

**Meeting your highest expectations...
Owandy-RX, the generator that combines
precision, proven technology, simplicity
and compatibility...**



Intuitive and user-friendly

The Owandy-RX is a user-friendly tool for the entire health care team. Operating the timer is spontaneous and requires no training. Controls are simple: only 3 very intuitive buttons are required for all settings.

The first defines the type of tooth selected, the second calibrates the X-ray dosage according to the patient's build and the third selects the sensor (film or digital).

Equipped with a 3.7" LCD screen, the Owandy-RX has a simple and intuitive user interface. The display may be personalised according to the language used. In response to energy saving concerns, the generator has an integrated Sleep mode function in case of prolonged inactivity. The Owandy-RX generator is equipped with a manual remote trigger or timer ensuring the practitioner's safety whilst performing the examination. X-ray emissions are controlled safely and remotely with the «wireless trigger» option and no more cables obstruct the work top allowing you to move freely.



Easy installation

Re-thinking the installation of a radiology system led to the Owandy-RX, designed for ease. The Owandy-RX is easy to install, whatever the layout of your surgery.

Three arm lengths (short, standard and long) guarantee the best fit to your workstation.

The wall fitting is compatible with the bore holes of the most popular models (universal mounting plate). Installation is greatly simplified with the wireless option - no need to worry about cables!





Precision

Reliability

Ergonomic design

Intuitive

Easy installation



Owandy Radiology is an internationally-recognised manufacturer of dental radiology systems and developer of imaging software. Its software is currently used by almost half of the dental

practitioners in France and its range of digital imaging solutions is made available to dentists in more than 50 countries worldwide. In addition to its products and services, **Owandy Radiology** strives

to contribute to the improvement of oral health and patients' well-being. As a committed and innovative company, **Owandy Radiology** has been a partner of choice for dentists for more than 20 years.

TECHNICAL SPECIFICATIONS:

Standards: Class 1 type B (EN 60601-1)

Power supply: 110/220V to 50/60 Hz

HF generator: Variable potential of 60, 65 or 70 kV, 6mA

Focal spot size: 0.4mm (IEC 336)

Exposure times: from 0.01s to 2.00s (in 36 steps)

LCD screen: 84 x 45mm

Microprocessor-controlled timer:

Tooth type setting

Patient anatomy setting

Pre-programmed exposure time tables:

D, E and F type films

Digital systems: CCD and CMOS sensors, imaging plates

Configurable timetable

Focal spot to skin distance: 20cm

Circular collimator: 55mm diameter

Extension arm: 30, 60 and 80cm

Options:

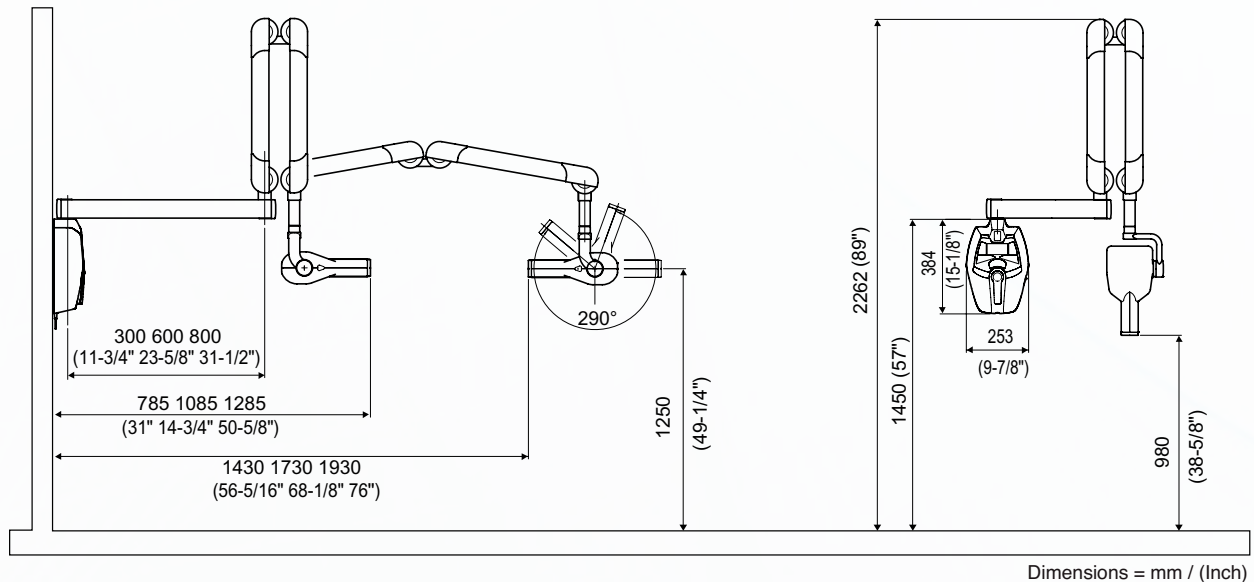
Remote timer (cable up to 20m)

Mobile cart

Wireless trigger kit

Long cone

Rectangular collimator: 35x45mm, 25x35mm, 20x30mm



BR_OWANDYRX_EN_REV01

Dealer's stamp

Owandy Radiology

2, rue des Vieilles Vignes

77183 Croissy-Beaubourg

FRANCE

Tel.: +33 (0)1 64 11 18 18

Fax: +33 (0)1 64 11 18 10

info@owandy.com

www.owandy.com



SOFTWARE

DIGITAL SENSORS

2D - 3D PANORAMICS

INTRAORAL RADIOLOGY

CAMERAS